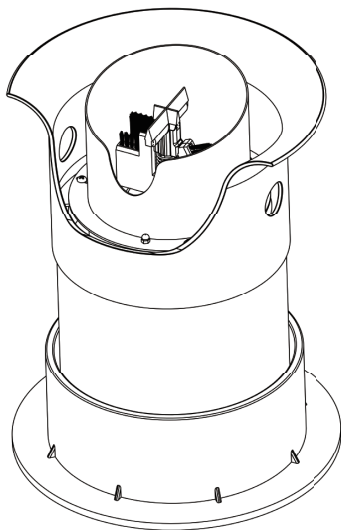




# CINOART PC

— CINOART Portafilter Cleaner



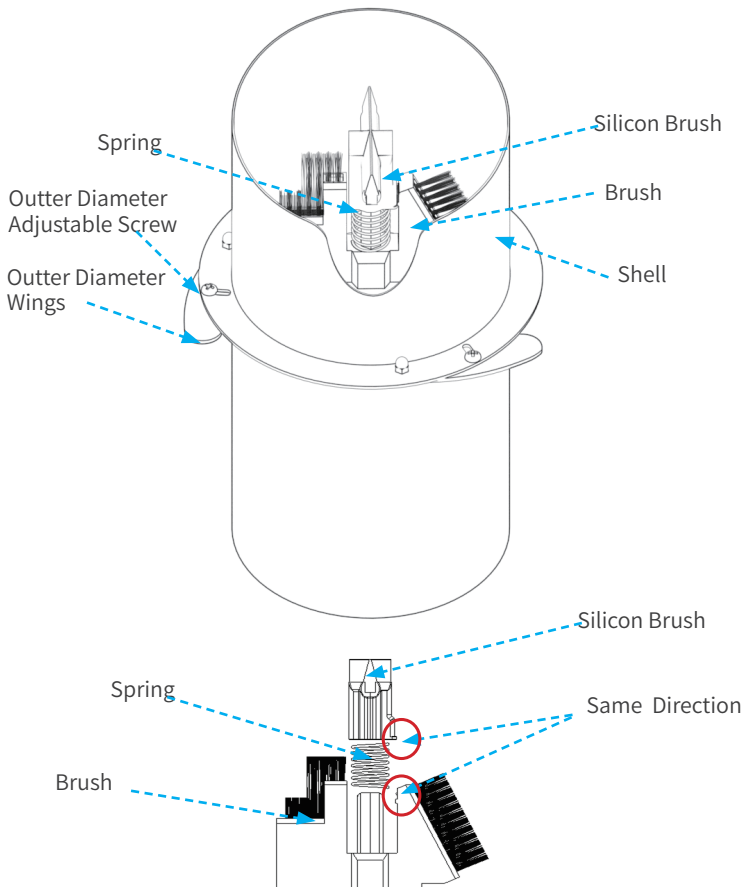
**Automatic Portafilter Cleaner**

**Product Manual**

V 1.0

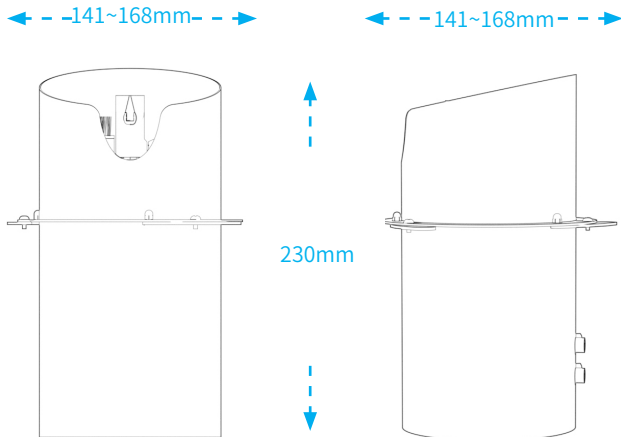
# PC FEATURES

---



# DIMENSIONS AND PARAMETERS

---



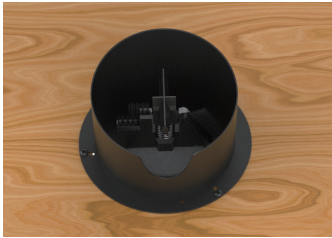
Product Name	Automatic Portafilter Cleaner
Model	CINOART PC
Size	L141 * W141 * H230mm
Voltage	AC100~240V 50/60Hz
Power	36W
Weight	2kg

## SET-UP AND BASIC ADJUSTMENT

CINOART automatic Portafilter Cleaner can be placed on the worktable, and it is also compatible with the knock tubes. If the outer diameter of the cleaner cannot be adjusted to a suitable size, it cannot be placed in the knock tube. Please read the following adjustment steps carefully:

1. Install the CINOART portafilter cleaner In the worktable
  - 1.1 Drill a hole in the worktable, the diameter of the hole is 120mm;
  - 1.2 Remove the three "wings" of the cleaner and install it on the table;
  - 1.3 Determine the position of the positioning hole of the cleaner through the edge of the cleaner;
  - 1.4 Open 1~3 6mm holes on the table;
  - 1.5 Fix the cleaner on the worktable;
  - 1.6 Connect the power to the cleaner;

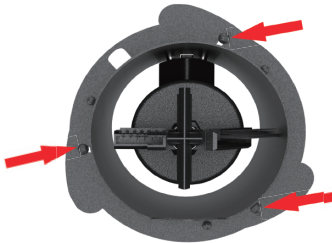




Put the CINOART PC into the hole and fix it on the worktable

## 2. Install the CINOART PC into the knock tube

- 2.1 Adjust the outer diameter of the cleaner according to the knock tube diameter;
- 2.2 Put the cleaner into the knock tube;
- 2.3 Connect the power to the cleaner;



Loosen the three screws, and adjust the wings to fit the knock tube



Place the CINOART cleaner on top of the knock tube

## USE ENVIRONMENT

---

Please place the CINOART portafilter cleaner (knock tube) on a level, non-vibrating surface, so as not to shake the cleaner (knock tube) during use, damage the cleaner or reduce the service life of the cleaner

## INSPECTION BEFORE SUE

---

1. Inspect the power cord to ensure there are no signs of damage or poor connection fittings.
2. Insert the power adaptor cord into the rear of the PTB-FI and then into the 10amp PowerPoint.

## UPDATE THE BRUSH HEAD

---

CINOART automatic Portafilter Cleaner can be used to clean the Double Shots Basket from 53mm to 58.5mm.

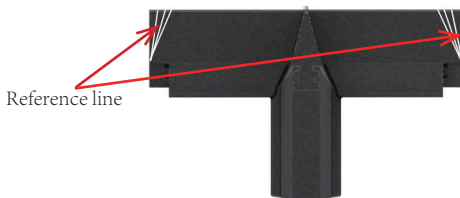
The default brush head is suitable for the 58mm basket, and its inner wall is required to be vertical (below left picture); If the inside of the basket is not vertical (below right picture), and there is a certain slope at the bottom of the basket, the brush head can be modified according to the slope on the silicone brush head;



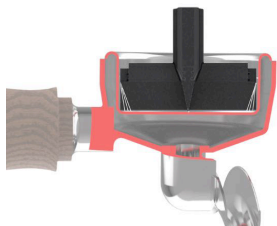
Inner wall vertical



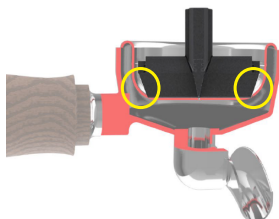
Inward inclination



Cut off the excess part according to the reference line, and make sure the silicone top of the brush head is smaller than the inner diameter of the bottom of the basket



The silicon brush can access to the Inner wall vertical basket



The silicon brush need to be cut to access to the Inward inclination basket

Notice: If you are using 54mm basket, you need cut the silicon brush according to the upper description.

## OPERATION

1. Put the portafilter on top of the brush and press down
2. Clean for 2~3 seconds, lift the portafilter over the top of the brush head
3. Press the portafilter down again to clean

## CLEAN

If there is a lot of ground coffee on the brush head, you can take out the brush head and clean it with water; if there is a lot of ground coffee on the inner wall of the cleaner, you can also use a brush to clean it;

## SERVICE

---

When or if you require after-sales service, please turn the power off, clean the machine, and call your place of purchase.

Any service or repair should be carried out by an authorized service dealer.

Do not attempt to repair it yourself in case of electrical fault.

## SPARE PARTS

---

Please contact your CinoArt supplier / distributor if you require some spare parts such as the new brush head.

All Spare Parts in general can be ordered from your supplier / distributor.

Do not attempt to repair it yourself in case of electrical fault.

## WARRANTY CONDITIONS

---

1. The warranty period is for one year from the date of purchase.
2. CinoArt warrants any defective or faulty components within the first 12 months from the date of purchase. Fair and reasonable use under normal wear and tear environment conditions will always be considered.
3. The warranty conditions do not cover damages caused by incorrect installation improper use, improper cleaning and maintenance.
4. Warranty does not cover damage caused from using non-genuine replacement parts.
5. Warranty does not cover general maintenance and or labor costs associated with replacement spare parts.



Shenzhen MeShining Technology Co., Ltd

Email: [sales@cinoart.com](mailto:sales@cinoart.com)

Room 309, No. 6, Lihu Garden, Longteng Community, Shiwan Street, Baoan District, Shenzhen, China