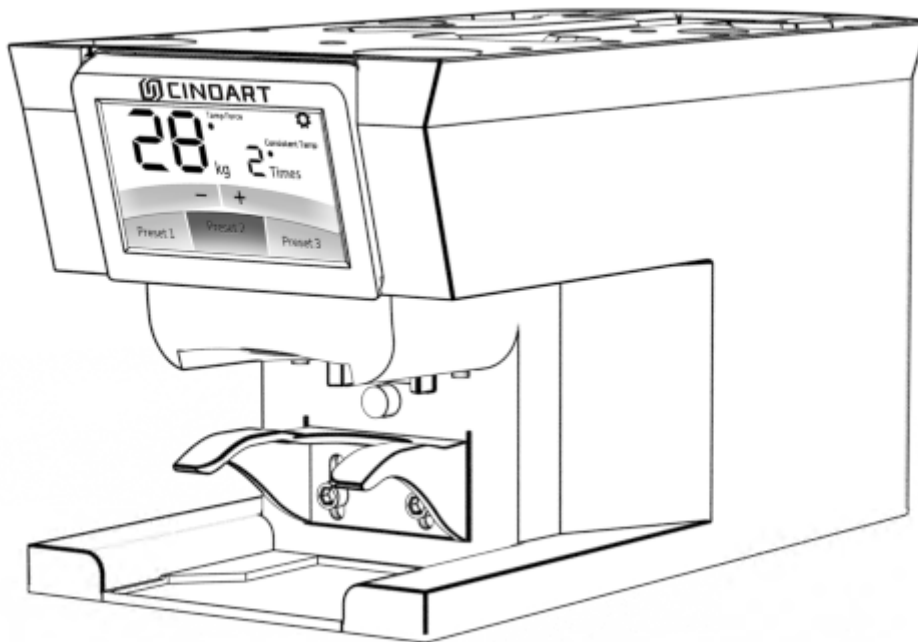




# PTB-MY

– Precision Tamp Below-Mythos Grinder



# AUTOMATIC COFFEE TAMPER

PRODUCT MANUAL

# PTB-MY OVERVIEW

---

## PTB-MY Precision Tamp

Thank you for choosing the CINOART PTB-MY (Precision Tamp Below - Mythos Grinder).

Please read the following user guide and instructions carefully to ensure the correct use and accurate setup of this machine.

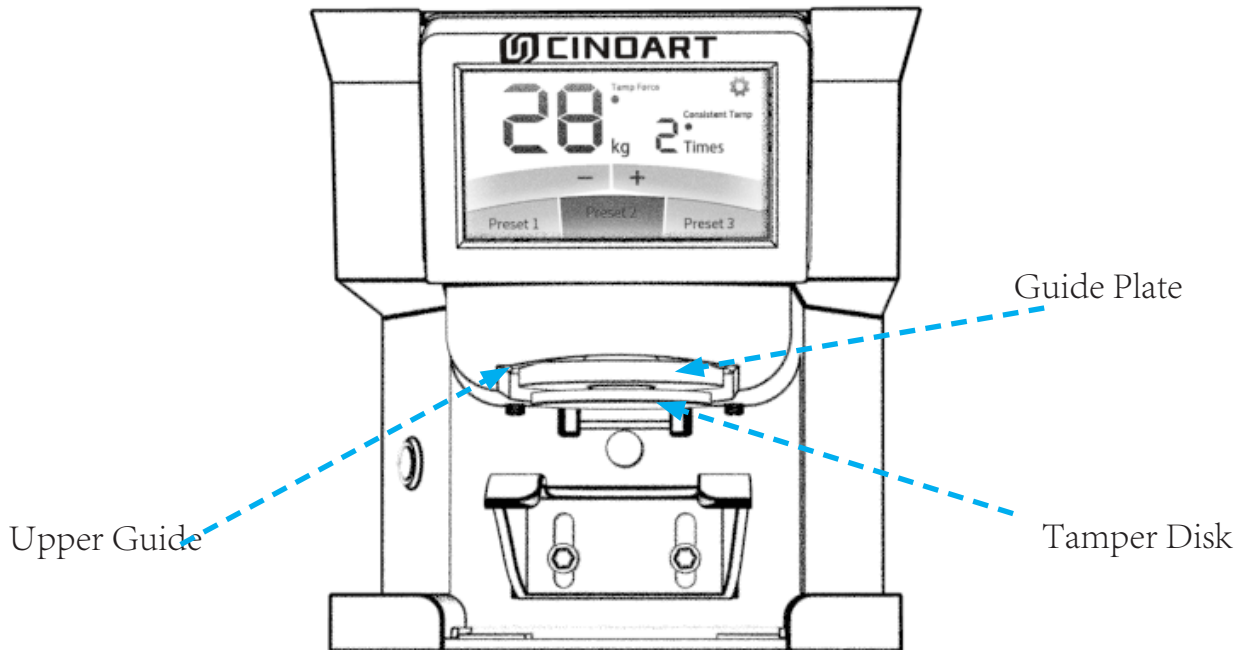
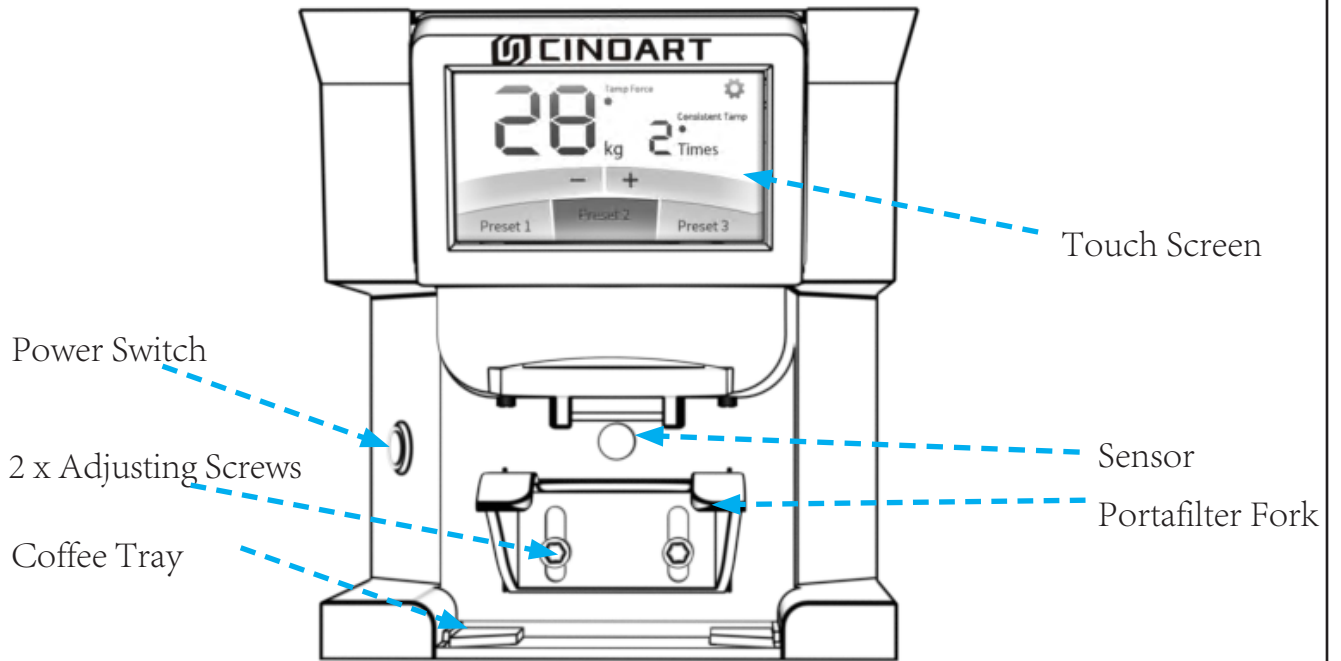
The CINOART PTB-MY Automatic Coffee Tamper will greatly assist the professional barista with workflow speeds while maintaining the consistency of espresso preparation.

Using the PTB-MY Precision Tamper greatly improves the flavour yield, consistency, and overall cup quality of each espresso.

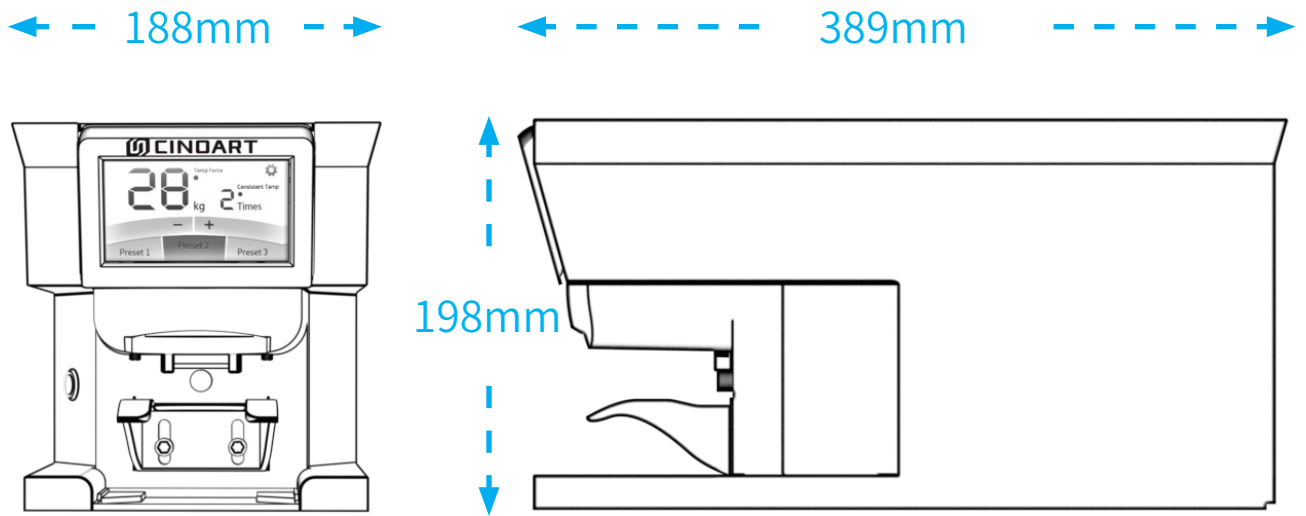
The PTB-MY is simple and quick to operate. Clear display icons allow easy access into each of the different modes for fast changes to the desired pressure.

If you require more information or have further questions not covered in these instructions, please contact Shenzhen Meshining Technology Co. Ltd or your local CINOART distributor.

# PTB-MY FEATURES



# DIMENSIONS AND TECHNICAL SPECS



Product Name

Automatic Coffee Tamper

Model

PTB-MY

Size

389mm L \* 188mm W \* 198mm H

Voltage In

110~240V 50/60Hz

Weight

5.95kg

Tamper Diameter

58.3mm / Flat Base

Pressure

from 2kg to 38kg

Cycle Speed

1.2 Sec

Multi Segment Tamping

1, 2 or 3 times

# 1# SET UP AND PORTAFILTER ADJUSTMENT

The PTB-MY is designed for easy adjustment to the Portafilter / Group Handle

1. Turn off the power by removing the power cord at the rear of the machine.
2. Turn the PTB-MY upside down on a smooth flat nonslip surface.
3. Loosen the 2 Hex Screws with the supplied Allen Key.
4. Place the Portafilter Levelling Guide tool on top of the Tamper Disk.
5. Place the Portafilter handle upside-down on the Levelling Guide, then adjust the Supporting fork down onto the underside of Portafilter handle.

Images - Step 1, 2, 3, 4



Images - Step 5.



Images - Step 6.

Re-tighten the 2 hex screws ensuring the supporting fork is level with the parallel indicator markings.



Images - Step 7.

Remove the Levelling Guide Tool and return the PTB-MY to the upright position and reconnect the power.



## 2# ENVIRONMENT

---

Place the PTB-MY Automatic Tamper on a flat, solid and vibration-free surface.

Do not operate the machine in wet or extreme temperature environments.

### 3# PLEASE CHECK BEFORE USE

---

1. Inspect the power cord to ensure there are no signs of damage or poor connection fittings.
2. Insert the power adaptor cord into the rear of the PTB-MY and then into the 10amp PowerPoint.

### 4# OPERATION

---

1. Turn power on.
2. Ensure the digital display screen is illuminated and functional.
3. Set and program the desired tamp values via the touchpad.
4. The internal activation sensor will automatically detect the Portafilter handle.

### 5# PRESSURE ADJUSTMENTS

---

1. Quick access to preset pressures (10kg, 20kg, 30kg)
2. Precise +/- 1kg Up or Down increments to achieve desired pressure.
3. Quick Press and Hold the \* button to save the programmed values.
4. Multi Tamping Feature for 1, 2, 3 cycles



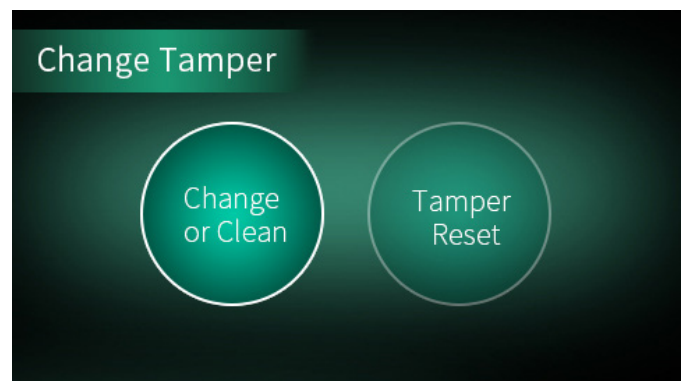
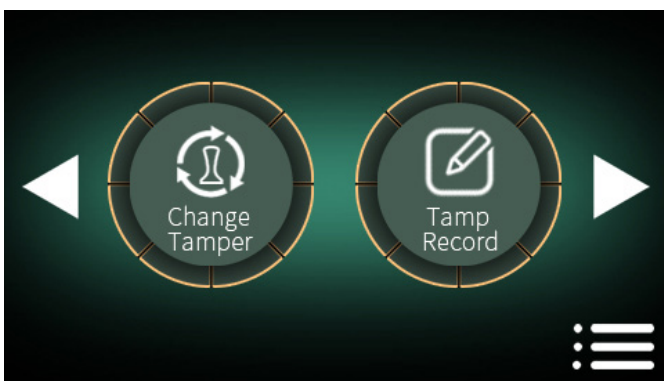
## 6# CLEAN MODE

Performing a clean of the Tamper Disk can be done anytime during service and should be performed as a daily cleaning routine to brush off the residual buildup of coffee fines and oils to help ensure clean tamping for best flavour and espresso quality.

Follow these steps:

1. Go to the Setting Page.
2. Click Change Tamper
3. Click Change or Clean button

**Note** \*Cleaning Mode also allows the access needed to change the Tamper Disk to a different diameter to suit other espresso machine brands. Your local distributor will stock the different sizes.



## COMMON ERRORS

Issues / Errors	Potential Reasons	Potential Solution
Coffee fines and oils sticking to the tamper head	Tamper disk is wet, or has not been cleaned regularly causing further buildup	Perform the cleaning mode outlined in Point 6. In this user guide
Machine not working / No illumination of touchpad icons	Check power cord and power adaptor	Check connection between wall PowerPoint and Transformer Adaptor and check connection from Transformer Adaptor into the rear of the machine



Coffee bed is uneven	Portafilter support fork is not level	Perform Portafilter Support alignment in Point 1. In this user guide
Tamper Disk does not fully extend	Cleaning Mode is on or the Portafilter support is not level	Cancel the Cleaning Mode or perform Portafilter realignment in Point 1. in this user guide

*Note \* If issues persist please contact your supplier for after sales service and technical support.*

## TECHNICAL SERVICE AND SUPPORT

---

- When or if you require after-sales service, please turn the power off, clean the machine, and call your place of purchase.
- Any service or repair should be carried out by an authorized service dealer.
- Do not attempt to repair it yourself in case of electrical fault.

## SPARE PARTS

---

Please contact your CinoArt supplier / distributor if you require a different diameter Tamper Disk for your espresso machine brand to the standard 58.3mm Portafilter basket.

All Spare Parts in general can be ordered from your supplier / distributor.

Do not attempt to repair it yourself in case of electrical fault.

## WARRANTY

---

1. The warranty period is for one year from the date of purchase.
2. CinoArt warranties any defective or faulty components within the first 12 months from the date of purchase. Fair and reasonable use under normal wear and tear environment conditions will always be considered.
3. The warranty conditions do not cover damages caused by incorrect installation improper use, improper cleaning and maintenance.
4. Warranty does not cover damage caused from using non-genuine replacement parts.
5. Warranty does not cover general maintenance and or labor costs associated with replacement spare parts.



# CINOART

Shenzhen Meshining Technology Co.Ltd



[sales@cinoart.com](mailto:sales@cinoart.com)



CN: [www.cinoart.com](http://www.cinoart.com)

EN: [www.beqsx.com](http://www.beqsx.com)



Room 309, No. 6, Lihu Garden, Longteng Community, Shiyan Street, Baoan District,  
Shenzhen